

S760C

Triple-Offset Side Entry

Performance Features

- One-way seal
- Special metal combination for valve seat
- Customized extended stem
- Small torque, long life
- Degreasing treatment in oxygen medium.

Please contact us for other applications.

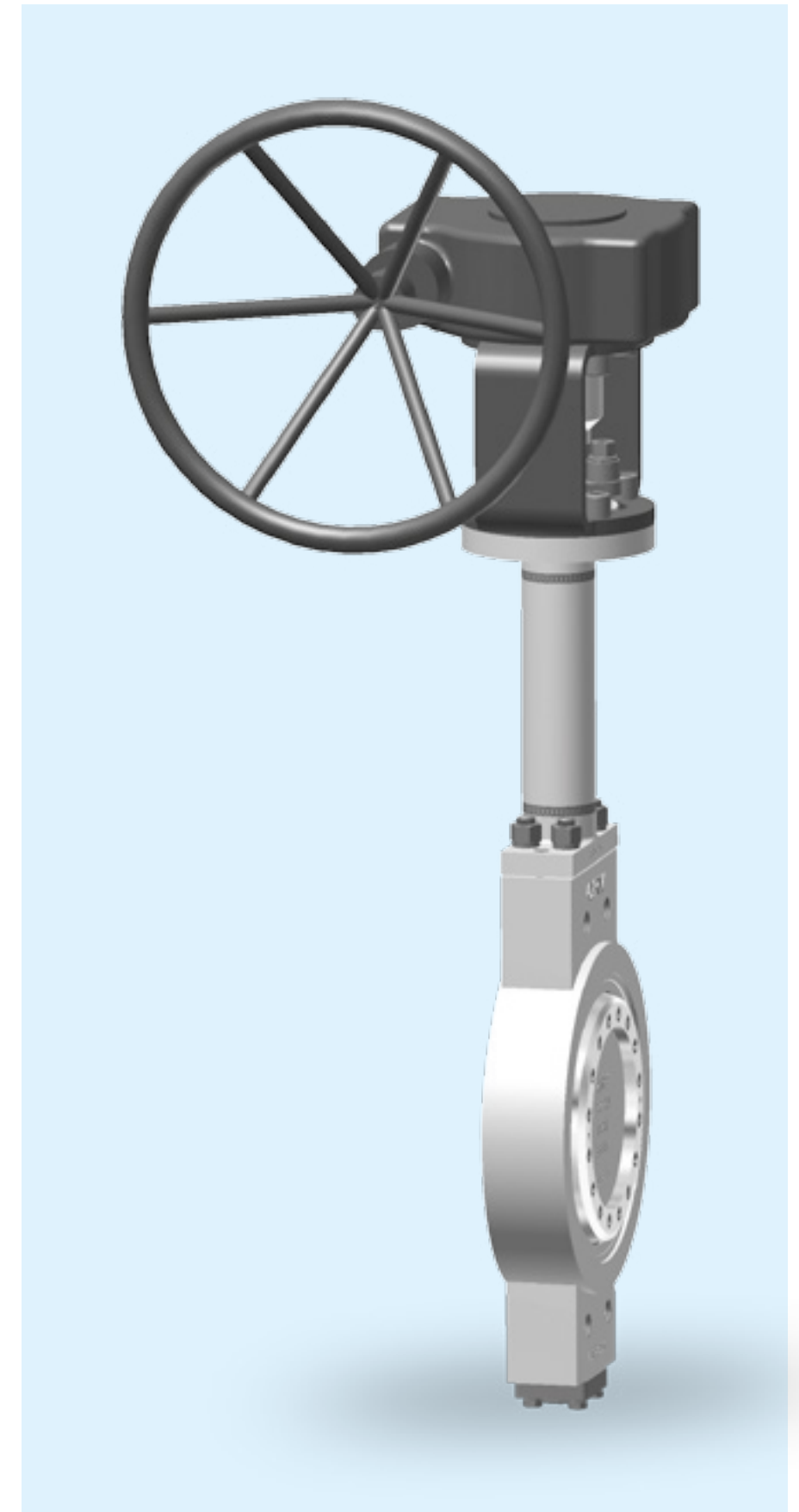
Specifications

- **Design Standard:**
API609, BS6364
- **Nominal Size:**
2" (50mm) ~ 48" (1200mm)
- **Pressure**
Class 150 / 300 / 600
- **Temperature:**
-196°C ~ +350°C
- **Connection:**
Wafer, Flange
- **Medium:**
LNG, LO₂, LN₂ etc.
- **Test Standard:**
BS6364
- **Operation:**
Manual, Pneumatic,
Electric, Hydraulic.

Main Parts & Materials

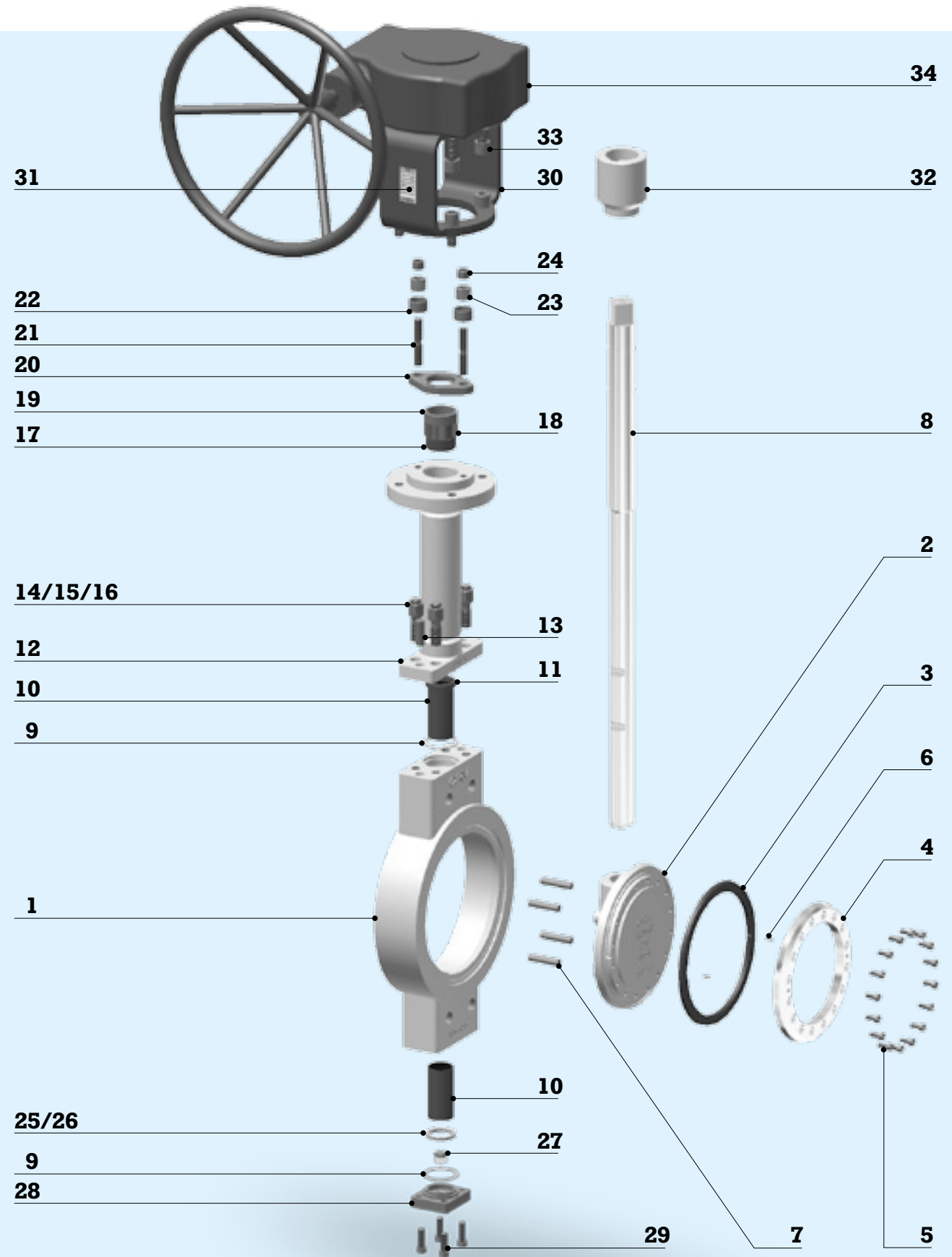
- **Body:** Austenitic stainless steel (casting)
- **Disc:** ASTM A351
CF8/CF8M/CF3/CF3M
- **Stem:** ASTM A182
316/A479 XM-19
- **Seat Seal Ring:**
SS316L + Graphite
- **Packing:**
PTFE / Graphite.

Note: Cold box flange can be designed upon request.



S760C

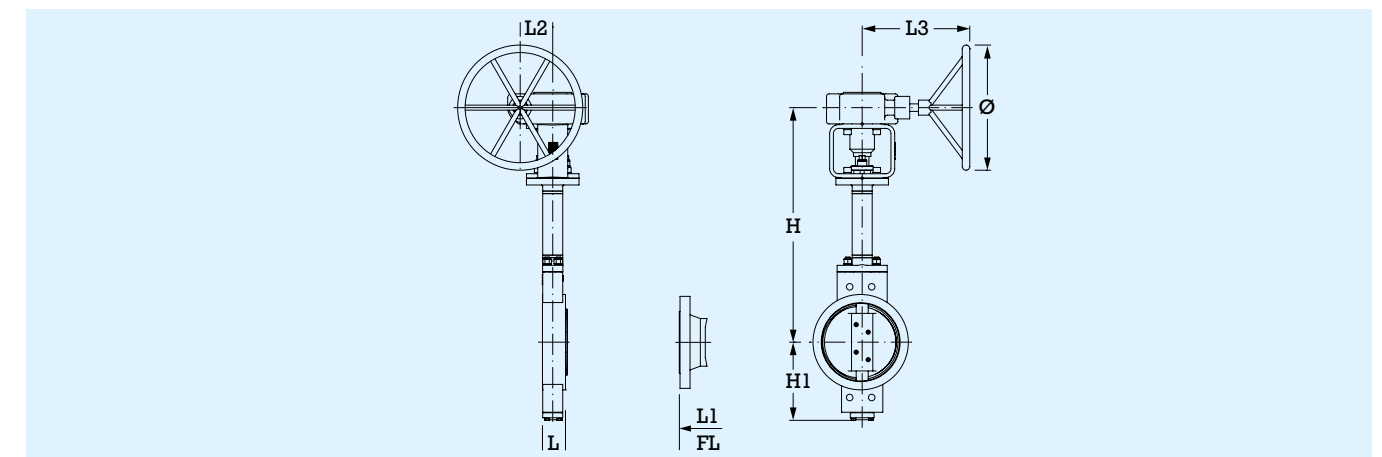
Triple-Offset Side Entry



Identification of the Valve Parts

Item	Part Name	Item	Part Name	Item	Part Name
1	Body	13	Locating pin	27	Adjustable pad
2	Disc	14	Bolt	28	Bottom cover
3	Flexible combination seat	15	Nut	29	Bolt
4	Pressing plate	16	Belleville spring	30	York
5	Screw	17	Bush	31	Nameplate
6	Seat locating pin	18	Packing components	32	Coupling sleeve
7	Disc pin	19	Clamping ring	33	Screw
8	Shaft	20	Packing gland	34	Gearing
9	Seal gasket	21	Bolt		
10	Shaft sleeve	22	Belleville spring packing		
11	Sliding bearing	23	Belleville spring components		
12	Extended bonnet	24	Nut		
		25	Thrust bearing		
		26	Split ring		

Connections & Dimensions



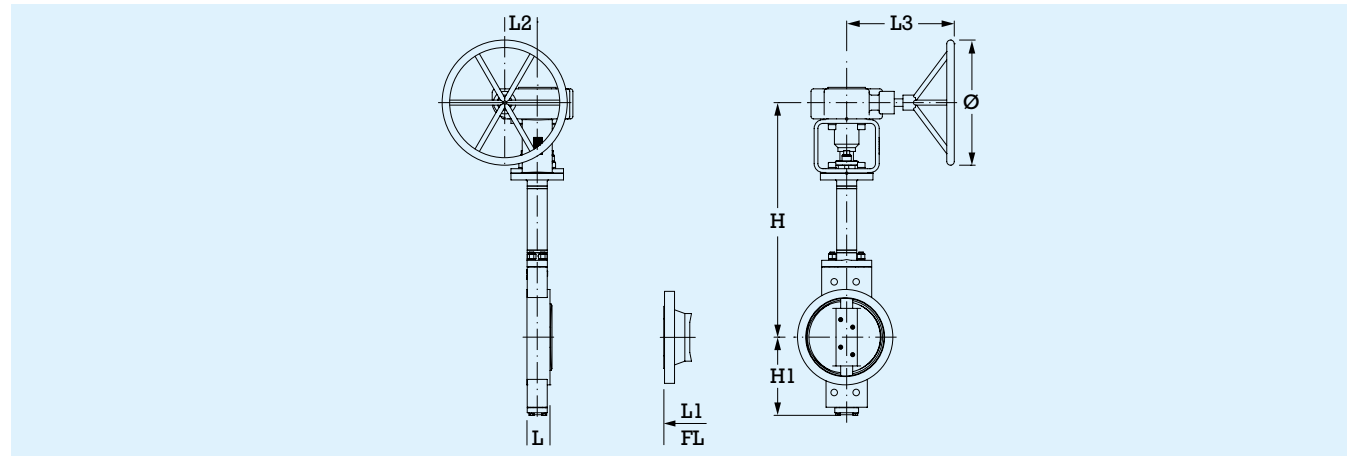
ASME Class 150

Size	L	L1	L2	L3	H	H1	Ø	Cv	
mm	inches								
50	2	43	108	34	102	480	75	100	60
65	2 1/2	46	112	34	102	520	80	100	110
80	3	48	114	34	102	540	95	100	165
100	4	54	127	41	133	575	110	100	320
150	6	57	140	55	171	660	150	200	930
200	8	64	152	69	250	710	170	300	1970
250	10	71	165	81	265	760	215	400	2690
300	12	81	178	94	280	850	250	400	3950
350	14	92	190	104,5	356	900	285	500	5300
400	16	102	216	104,5	356	1000	315	600	7750
450	18	114	222	130	397	1100	340	600	9900
500	20	127	229	130	397	1150	370	600	12200
550	22	154	267	140	440	1220	460	600	16200
600	24	154	267	140	440	1250	440	600	19800
700	28	165	292	182	480	1400	505	700	27800
800	32	190	318	182	480	1550	600	700	36000
900	36	203	330	209	501	1661	645	800	46000
1000	40	216	410	256	541	1700	700	800	65500
1100	44	254	470	246	515	1900	800	800	82000
1200	48	254	470	246	515	1950	830	800	96000

Note: All dimensions are in mm.

S760C Triple-Offset Side Entry

Connections & Dimensions

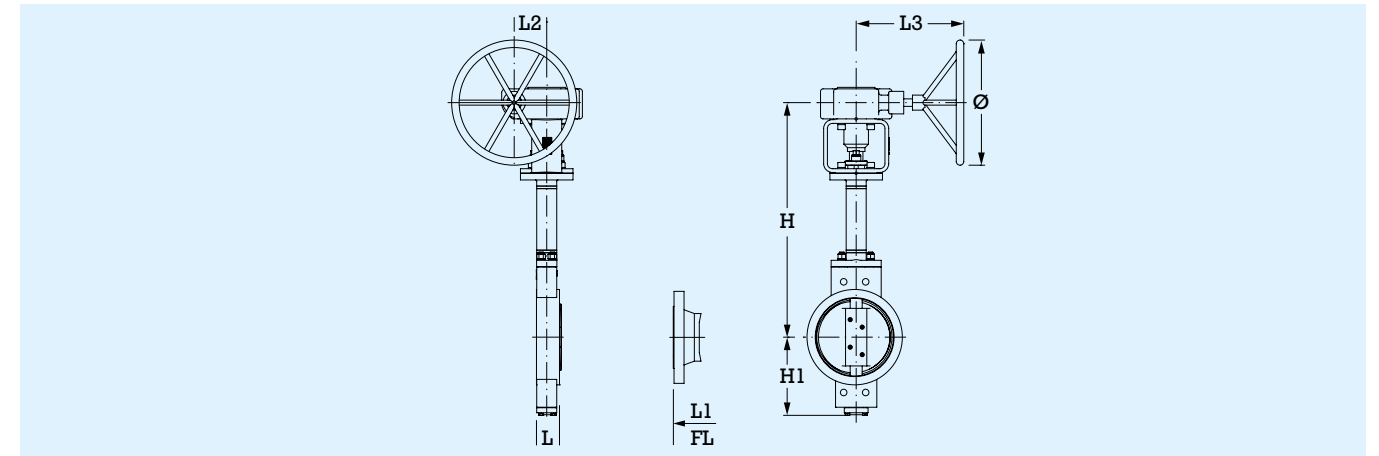


ASME Class 300

Size	L	L1	L2	L3	H	H1	Ø	Cv	
mm inches									
50	2	43	150	34	102	480	80	100	60
65	2 1/2	46	170	34	102	520	95	100	110
80	3	48	180	41	133	540	105	100	165
100	4	54	190	55	171	575	125	200	320
150	6	59	210	69	245	660	175	250	680
200	8	73	230	104,5	336	750	215	400	1250
250	10	83	250	104,5	336	850	245	400	2400
300	12	92	270	104,5	356	900	280	500	3600
350	14	117	290	130	397	1000	310	600	4800
400	16	133	310	140	440	1050	345	600	6300
450	18	149	330	140	440	1100	380	600	8000
500	20	159	350	182	480	1180	410	600	10800
550	22	181	390	182	480	1180	470	600	13800
600	24	181	390	182	480	1300	490	700	16200
700	28	229	430	256	541	1550	510	700	22500
800	32	241	470	246	515	1650	630	800	33100
900	36	241	510	279	631	1720	670	800	42100
1000	40	300	550	343	657	1850	735	800	49000
1100	44	350	630	402	842	1900	820	800	61200
1200	48	350	630	381	674	2000	880	800	69500

Note: All dimensions are in mm.

Connections & Dimensions



ASME Class 600

Size	L	L1	L2	L3	H	H1	Ø	Cv	
mm inches									
50	2	54	150	41	133	530	80	100	40
65	2 1/2	54	170	41	133	570	95	100	70
80	3	54	180	55	171	590	105	200	110
100	4	64	190	69	245	625	135	250	250
150	6	78	210	81	245	710	200	250	600
200	8	102	230	130	397	800	230	400	1080
250	10	117	250	130	397	950	275	400	1800
300	12	140	270	130	397	1000	300	500	2650
350	14	155	290	182	480	1050	325	600	4080
400	16	178	310	182	480	1100	430	600	5300
450	18	200	330	182	480	1150	460	600	7400
500	20	216	350	209	501	1350	490	600	9400
550	22	232	390	256	541	1350	510	700	11900
600	24	232	390	279	631	1450	525	800	13600
700	28	292	430	343	657	1550	545	800	20500
800	32	318	470	381	674	1700	670	800	26500
900	36	330	510	381	674	1800	730	800	32900

Note: All dimensions are in mm.